



ISO 9001 2000國際品質認證



本公司系列產品已通過CE認證
ISO 9001 2000國際品質認證
新型第101792號(凹凸線設計)
新式第086802號(沉水式設計)
新型第134273號(直立式設計)

Advanced Technology Topnotch Skill

TRUNDEAN Machinery Product Series



Specializing in the Manufacturing of Roots Blowers



TH型(壓送用) 魯氏鼓風機
TH Type



THV型(真空用) 魯氏鼓風機
THV Type



THL型(兩段式串聯) 魯氏鼓風機
THL Type



TV型 直立式魯氏鼓風機系列
TV Type



THS型 側水冷式魯氏鼓風機 THS Type



THW Type
THW型 全水冷式魯氏鼓風機



TS型 環型鼓風機系列 TS Type



TSW Type
TSW型 沉水式魯氏鼓風機系列



TLF型 耐酸鹼化學過濾機系列 TLF Type



TPD型 耐酸鹼自吸泵浦系列
TPD Type



TMD型 磁石驅動無軸封泵浦
TMD Type

INDEX

Cover	P1
INDEX Synthesis Products/Index	P2
Company's Introduction/All Kinds of Patent Certifications	P3
Roots Blower	P4-P7
Vertical Blower	P8-P11
Submersible Blower	P12-P15
Ring Blower	P16-P19
Diffuser	P20-P22
Company's Photo Introduction	P23
The Back Cover/Company Basic Introduction	P24

TRUNDEAN OVERVIEW **Concept and Product Characteristics**

Trundean Machinery Co., Ltd. was established in 1982. Due to market requirements and business expansion we moved to a new factory at the present location in 2001. Trundean insists on pursuing the goals of high quality and the absorption of advanced ideas from abroad each passing day so as to build the perfect company. Trundean dedicates itself toward maintaining the ideals of customers, quality and service first.

Marketing additional to Taiwan, our company has conducted business in over 30 countries to much acclaim. Because of our professional techniques, the company has been awarded many patents including Roots Blower types, Vertical Roots Blower types, Submersible Roots Blower types and Magnetic Drive Pump Series by manufacturing high-quality durable and safe products, as reliable equipment supplier with great result and approval to you.

Every year, we not only cultivate the local market but also extend our efforts overseas as well as enhance our quality control, and anticipate our customer's every need. Trundean emphasizes stability quality, the extensive development of new products and sincerely service in order to be a continuous cornerstone in today's market.

Why Should You Select the Trundean Roots Blower?

Trundean Machinery provided with ISO 9001 2000 Quality Certificate and CE Certificate qualifications



Traditional blowers result in pressure pluses and vibrations that rob power and shorten the life of every bearing, gear and other transmission component.

Lower Energy Consumption

TRUNDEAN new Roots Blower are designed to control backflow pressure to the rotor in order to reduce energy consumption.

Lower Noise

Pressure pluses are the major noise source in blowers. The TRUNDEAN new Roots Blower design can efficiently reduce noise by approximately 5 dB.

Longer Bearing Life

Less vibration transmitted through the lobe results in approximately 20% longer bearing life.

Roots Blower type

The Characteristic of the TRUN-DEAN Blower:

- * The air compartment and the side cover of our blower has a flange and groove rim, which can not only strengthen the blower's operational functions but also prevent eccentric phenomenal resulting from the fastening of the stud, which may shorten the life of the blower.
- * To reduce man-made errors, enhance the precision of the leave-wheel, and to promote the blower **efficiently**, our rotor uses the most advanced--one time work process Four- Shaft method.

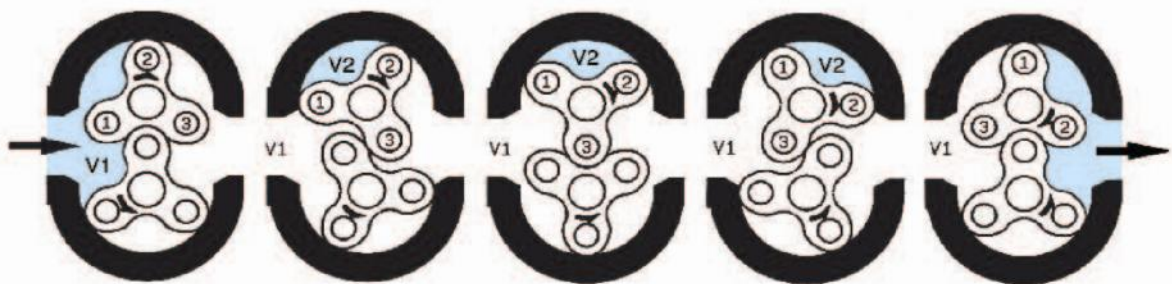
* Unique Design with Quality Components

Appropriate clearance between the rotors and the rotors with the casing ensure no direct operational contact, hence no lubrication is necessary. The synchronous gear drive system and the shaft bearings are the only parts which require lubrication. Separate lateral chambers are designed to house these moving parts with proper seals to prevent oil leakage to the main chamber. Computerized CNC machines are used to produce components and parts of high quality and precision, also saves the user both time and labor during maintenance and replacement.

* Low Noise & Minimal Vibration

Noise and vibration reduction are the main emphasis in developing the new series of roots blower. The TRUNDEAN Blower rotor concept was adopted based on its flow characteristics which is very stable and even compared to the 2 lobes type, also coupled with the fact that it shows a considerable reduction of both noise and vibration. The extent of reduction can even allow the smaller unit to operate without the need of a silencer.

Principle of the Blower Operation:



There are two sets of rotors in the air compartment of the blower body, when the rotors operate in opposite directions they suck in air to balance the pressure created due to the volume $V1$ change on the inlet side. And the air of the volume $V2$ will be sent out thru the outlet side and the high pressure will be created thru the outlet mouth.

Also, there is no need to apply any lubrication between the two rotors because of the existing gap between them which gives no worry about the possibility of friction. It runs well at high speed and produces clean air. It also can be used in vacuum circumstances.

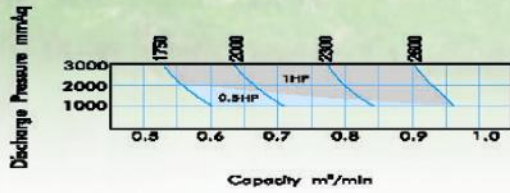
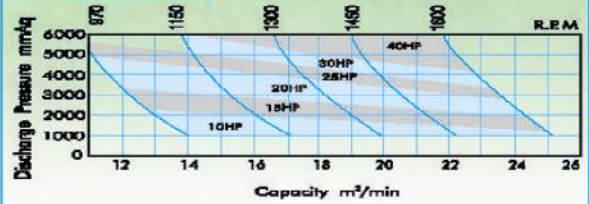
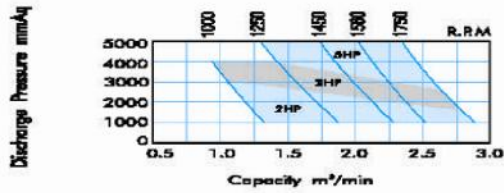
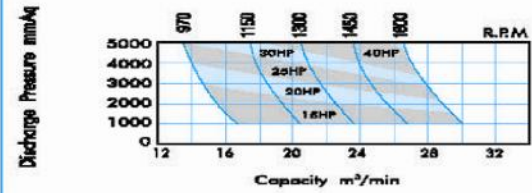
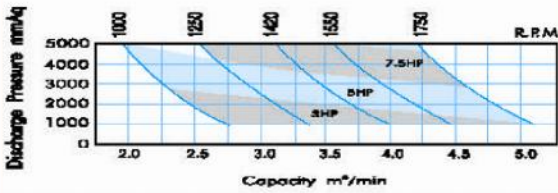
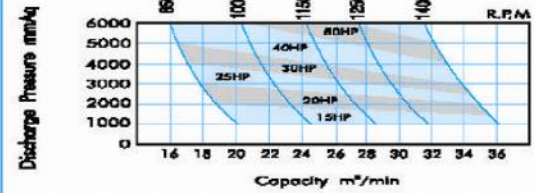
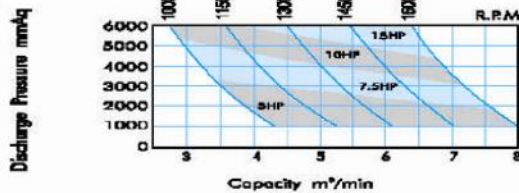
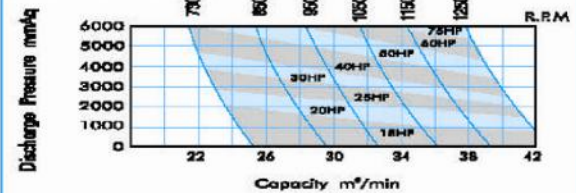
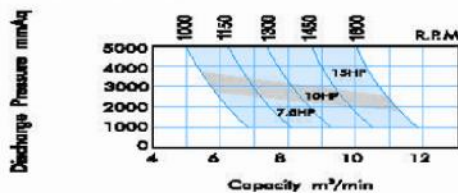
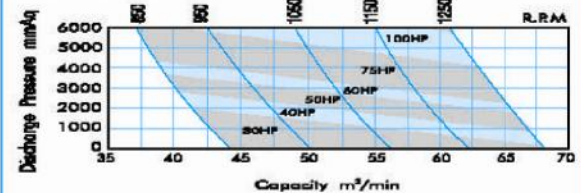
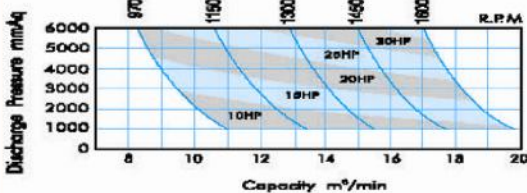
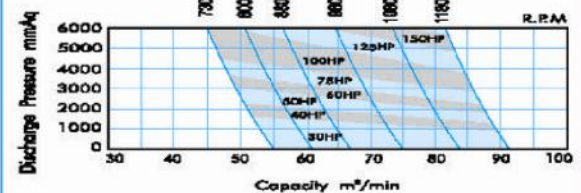
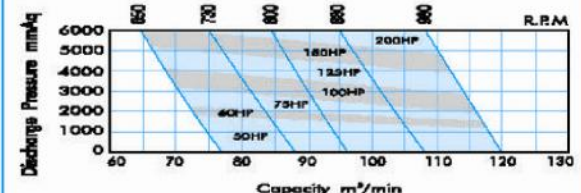
Performance Table of TH-type Roots Blower

TYPE	R.P.M	Qs (m ³ /min)				P (mmAq)				La (Kw)				R.P.M	
		1000 mmAq		2000 mmAq		3000 mmAq		4000 mmAq		5000 mmAq		6000 mmAq			
		Qs	La	Qs	La	Qs	La	Qs	La	Qs	La	Qs	La		
TH-40	1750	0.60	0.26	0.56	0.39	0.54	0.53								1750
	2000	0.71	0.30	0.68	0.45	0.65	0.60								2000
	2300	0.84	0.34	0.81	0.51	0.78	0.69								2300
	2600	0.97	0.38	0.84	0.57	0.91	0.78								2600
TH-50	1000	1.33	0.72	1.18	1.07	1.04	1.45	0.90	1.81						1000
	1250	1.86	0.91	1.71	1.35	1.57	1.82	1.43	2.27	1.31	2.69				1250
	1450	2.29	1.05	2.14	1.56	2.00	2.10	1.86	2.62	1.74	3.11				1450
	1560	2.53	1.13	2.38	1.68	2.24	2.26	2.10	2.82	1.97	3.35				1560
TH-65	1750	2.94	1.27	2.78	1.88	2.65	2.54	2.51	3.17	2.38	3.75				1750
	1000	2.76	1.20	2.48	1.90	2.27	2.50	2.08	3.10	1.85	3.70				1000
	1250	3.41	1.50	3.14	2.20	2.93	2.90	2.72	3.60	2.51	4.30				1250
	1420	4.03	1.70	3.76	2.50	3.55	3.30	3.34	4.20	3.23	5.00				1420
TH-80	1550	4.48	1.80	4.23	2.70	4.00	3.60	3.79	4.50	3.58	5.40				1550
	1750	5.17	2.10	4.89	3.10	4.68	4.10	4.47	5.10	4.26	6.10				1750
	1000	4.38	1.50	3.94	2.40	3.57	2.80	3.25	4.30	2.97	5.20	2.72	6.10		1000
	1150	5.27	1.80	4.85	2.80	4.48	3.90	4.16	5.00	3.87	6.00	3.61	7.10		1150
TH-100	1300	6.17	2.00	5.74	3.20	5.37	4.40	5.05	5.60	4.76	6.80	4.51	8.00		1300
	1450	7.07	2.20	6.65	3.60	6.28	5.00	5.96	6.30	5.68	7.60	5.41	9.00		1450
	1600	7.96	2.50	7.54	4.00	7.17	5.50	6.65	6.90	6.55	8.40	6.30	9.90		1600
	1000	6.72	2.30	6.22	3.50	5.72	4.80	5.38	6.10	5.04	7.40				1000
TH-125	1150	8.00	2.80	7.42	4.20	7.02	5.50	6.58	7.20	6.34	8.50				1150
	1300	9.26	3.00	8.71	4.60	8.26	6.30	7.89	8.00	7.57	9.70				1300
	1450	10.50	3.40	9.98	5.20	9.51	7.00	9.14	9.00	8.82	10.80				1450
	1600	11.80	3.70	11.20	5.70	10.80	7.80	10.40	9.90	10.10	12.00				1600
TH-125A	970	11.0	3.4	10.2	5.7	9.5	7.9	8.9	10.2	8.5	12.5	8.0	14.8		970
	1150	13.5	4.0	12.7	6.7	12.1	9.4	11.5	12.1	11.0	14.8	10.6	17.5		1150
	1300	15.6	4.5	14.8	7.6	14.2	10.6	13.6	13.6	13.1	16.7	12.7	19.8		1300
	1450	17.7	5.0	16.9	8.5	16.2	11.8	15.6	15.2	15.2	18.7	14.7	22.1		1450
TH-150	1600	19.8	5.5	19.0	9.3	18.3	13.0	17.7	16.8	17.3	20.6	16.8	24.4		1600
	970	14.1	4.2	13.1	7.1	12.4	9.9	11.7	13.0	11.2	15.7	10.7	18.5		970
	1150	17.2	5.0	16.3	8.4	15.6	11.8	14.8	15.4	14.4	18.6	13.8	22.0		1150
	1300	19.9	5.7	18.9	9.5	18.2	13.3	17.5	17.4	17.0	21.0	16.5	24.8		1300
TH-150A	1450	22.5	6.3	21.6	10.6	20.9	14.8	20.2	19.4	19.6	23.4	19.1	27.7		1450
	1600	25.2	7.0	24.2	11.7	23.5	16.4	22.8	21.4	22.3	25.9	21.8	30.6		1600
	870	16.8	4.9	15.7	8.4	14.9	11.8	14.2	15.2	13.5	18.6				870
	1150	20.6	5.8	19.5	9.9	18.6	14.0	17.9	18.0	17.3	22.1				1150
TH-200	1300	23.7	6.6	22.6	11.2	21.8	15.8	21.1	20.4	20.4	25.0				1300
	1450	26.9	7.4	25.8	12.5	24.9	17.6	24.2	22.7	23.6	27.9				1450
	1600	30.0	8.1	28.9	13.8	28.1	19.4	27.4	25.1	26.7	30.7				1600
	850	20.7	6.1	19.5	10.2	18.3	14.3	17.5	18.4	16.7	22.6	16.1	26.7		850
TH-250	1000	25.0	7.1	23.7	12.0	22.6	16.9	21.7	21.7	20.9	26.6	20.3	31.4		1000
	1150	29.3	8.2	27.9	13.8	26.9	17.7	25.9	22.8	25.2	30.6	24.5	36.1		1150
	1250	32.2	8.9	30.8	15.0	29.7	21.1	28.8	27.2	28.0	33.3	27.3	39.3		1250
	1400	36.4	10.0	35.0	16.9	34.0	23.6	33.0	30.4	32.3	37.3	31.6	44.0		1400
TH-300	730	24.6	6.7	23.8	11.2	23.2	15.9	22.7	20.5	22.1	25.1	21.7	29.7		730
	850	28.6	7.8	27.7	13.1	27.0	18.5	26.4	24.0	25.6	29.2	25.3	34.6		850
	950	32.0	8.7	31.0	14.6	30.2	20.7	29.5	26.7	28.8	32.6	28.3	38.7		950
	1050	35.3	9.6	34.3	16.2	33.3	22.8	32.6	29.5	31.8	36.1	31.3	42.7		1050
TH-300A	1150	38.7	10.5	37.5	17.7	36.5	25.0	35.7	32.3	34.9	39.5	34.2	46.8		1150
	1250	42.1	11.4	40.8	19.3	44.7	27.2	38.8	35.1	38.0	43.0	37.2	50.9		1250
	730	38.6	9.7	37.5	16.8	38.6	23.7	35.9	30.8	35.2	37.9	34.5	44.8		730
	850	44.9	11.2	43.7	19.4	42.6	27.6	41.8	35.8	40.9	44.1	40.2	52.2		850
TH-300A	950	50.1	12.6	48.8	21.6	47.7	30.8	46.7	40.1	45.8	49.3	44.9	58.3		950
	1050	55.4	13.9	54.0	23.9	52.7	34.1	51.6	44.3	50.6	54.5	49.7	64.5		1050
	1150	60.7	15.2	59.1	26.2	57.7	37.3	56.5	48.5	55.4	59.7	54.4	70.6		1150
	1250	65.9	16.6	64.3	28.5	62.8	40.6	61.4	52.8	60.3	64.9	59.2	76.8		1250
TH-300A	730	52.8	15.7	50.8	27.4	49.2	39.1	47.8	50.8	46.5	62.5	45.4	74.8		730
	800	58.4	17.1	56.4	29.9	54.8	42.6	53.4	55.4	52.0	68.1	50.9	81.6		800
	880	64.8	18.8	62.8	32.8	61.1	46.7	59.7	60.7	58.3	74.6	57.2	89.4		880
	980	72.9	20.7	70.9	36.2	69.2	51.4	67.8	68.9	66.4	82.3	65.2	98.6		980
TH-300A	1080	81.1	22.9	79.1	39.9	77.4	56.7	76.0	73.8	74.6	90.8	73.4	108.7		1080
	1180	89.3	25.0	87.3	43.6	85.6	62.0	84.1	80.6	82.7	99.2	81.6	118.7		1180
	650	74.8	21.9	72.2	39.1	69.9	55.2	68.1	72.5	68.3	89.7	64.8	97.8		650
	730	85.2	24.2	82.6	43.7	80.4	62.1	78.6	80.5	76.9	100.0	75.3	118.5		730
TH-300A	800	94.4	26.5	91.8	47.2	89.7	67.9	87.8	88.6	88.1	109.3	84.5	130.0		800
	880	105.3	29.9	102.6	51.8	100.3	74.8	98.4	97.8	96.6	120.8	95.1	143.8		880
	980	117.8	33.4	115.5	58.7	113.4	82.8	109.6	109.3	108.9	134.6	108.1	159.9		980

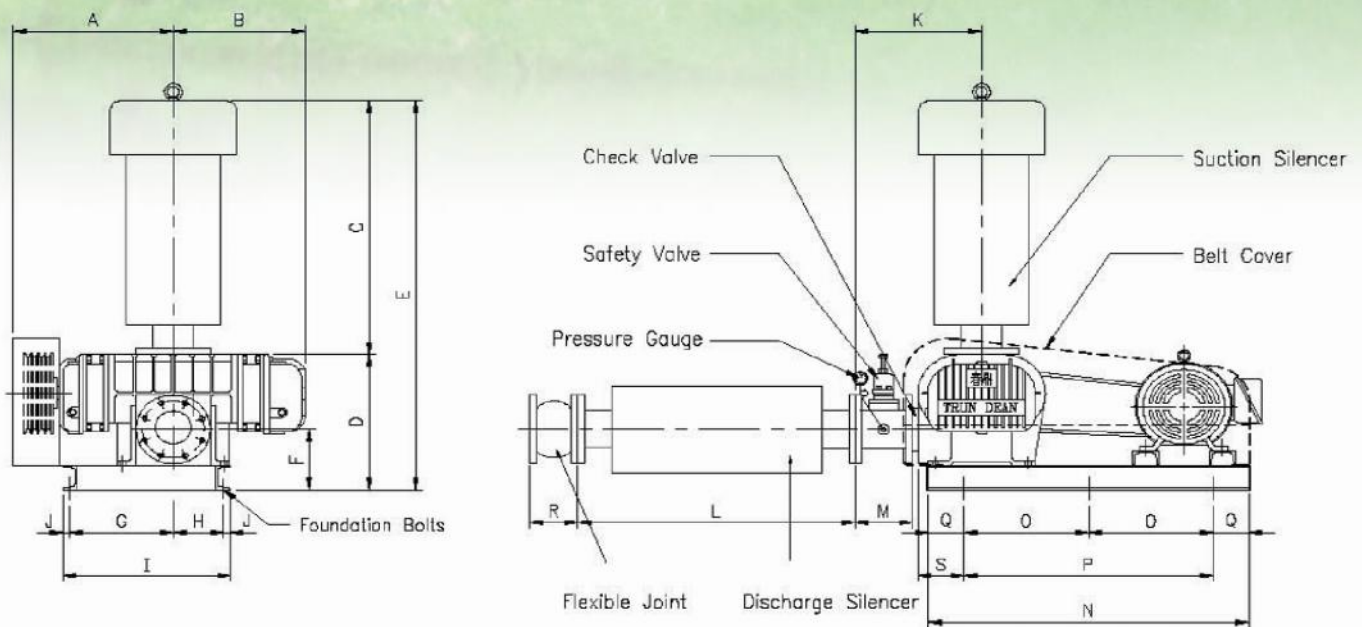
Our Ideal: Innovation, Topnotch, Exclusive, Sincerity

Trudean Roots Blower control the core of technology and absolutely is your best choice.

TH type Performance Curve

TH-40

TH-125A

TH-50

TH-150

TH-65

TH-150A

TH-80

TH-200

TH-100

TH-250

TH-125

TH-300

TH-300A


TH Type Outside Dimensions



Type	A	B	C	D	E	F	G	H	I	J	K	L	M	N	O	P	Q	R	S	重量1	重量2
TH-40	190	195	525	237	762	185	177	117	330	18	301	525	85	500		400	50	95	50	28	71
TH-50	330	265	765	337	1102	170	312	122	470	18	326	780	160	700		600	50	105	80	90	160
TH-65	350	310	780	337	1117	170	332	102	470	18	326	780	160	700		600	50	115	80	105	185
TH-80	370	320	780	410	1190	177	292	142	470	18	380	780	185	900		700	100	130	120	170	265
TH-100	450	370	780	415	1195	190	292	142	470	18	380	780	185	900		700	100	135	120	185	300
TH-125	412	382	1395	530	1925	230	323	233	600	22	451	1405	200	1100		900	100	170	135	315	530
TH-125A	452	422	1395	530	1925	230	288	268	600	22	451	1405	200	1100		900	100	170	135	350	565
TH-150	507	477	1395	545	1940	245	343	213	600	22	454	1405	200	1100		900	100	180	135	375	600
TH-150A	527	507	1395	633	2028	280	400	156	600	22	514	1405	200	1400		1200	100	180	155	625	875
TH-200	535	505	1550	860	2410	380	510	390	950	25	583	1410	200	1700	750	1500	100	205	150	810	1190
TH-250	630	600	1550	860	2410	415	604	296	950	25	633	1410	250	1700	750	1500	100	240	147	970	1380
TH-300	761	680	1550	915	2465	432	525	375	950	25	633	1410	250	1700	750	1500	100	260	179	1120	1740
TH-300A	798	645	1550	995	2545	435	740	510	1300	25	732	1410	250	2200	1000	2000	100	260	180	1575	2220

Weight 1: main body only without any motor and other accessories. (Unit:kg)

Weight 2: main body with all accessories (inlet and outlet silencer, base plate, safety valve, belt cover, etc....) and without motor. (Unit:kg)

The Roots Blower Usage Instructions

❖ Before starting the blower, check the following to make sure they are all normal.

1. Distribution Pipes

- *Make sure the insides of the pipes are clean; make sure all tappings are tightly secured.
- *Make sure all the Valves are open, to avoid pressure going up.

2. Power Supply

- Wire tappings, voltage, frequency, etc.. must be normal.

3. Direction of Rotation

- Should be in line with the arrow direction; otherwise, adjust and correct this by 30 minutes to one hour arrow-pointing-direction running instead of becoming rusty.
- This way rust can be prevented.

4. Safety Valve

- To adjust the Safety Valve, go for 1.5 to 2.5 times of the average pressure.

5. Lubrication

- *Make sure that the oil level stays in the middle of the gauge; change the oil once every three months.
- *Before turning on the machine each time see whether it is smooth by hand-pushing.
- Try not turn on the machine when it is not smooth.

❖ The initial noise

- It is normal to have a little noise right after the machine is turned on, because of the viscousness of the oil.
- It should stop or die down within 20 minutes.

❖ Pay attention during operation to its noise, pressure, current and temperature, etc..... Make sure they are all normal.

- If anything unusual, turn off the power immediately and find the cause.

Why Should You Select the Trunde Vertical Roots Blower?

Traditional blowers result in pressure pulses and vibrations that rob power and shorten the life of every bearing, gear and other transmission component.

Lower Energy Consumption

TRUNDEAN Vertical Roots Blower are designed to control backflow pressure to the rotor in order to reduce energy consumption.

Reduces the amount of regular maintenance that needs to be performed.

The TRUNDEAN Vertical Roots Blower uses direct-drive, reducing wear and tear on the belt, reducing the amount of maintenance needed, and reducing the risk of oil leaks.

Easy Installation

The Blower is simple to install, does not require much time to maintain, does not occupy much space, and provides a noise-free living environment without the need for additional noise prevention equipment.

Lower Noise

Pressure pulses are the major noise source in blowers. The TRUNDEAN Vertical Roots Blower design can efficiently reduce noise by approximately 5 dB.

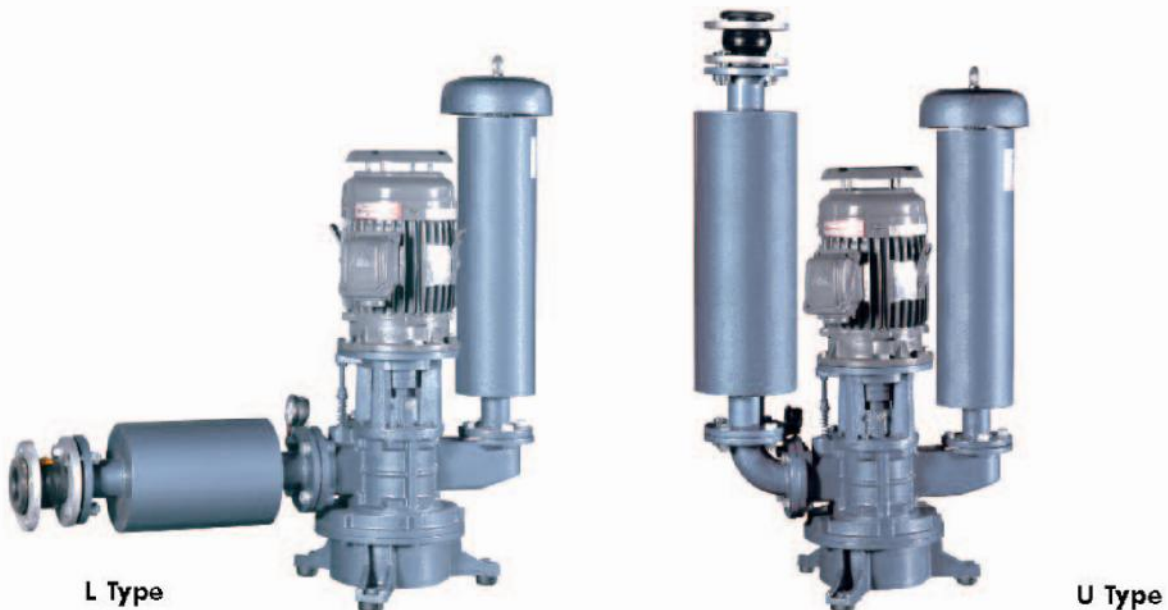
The blower is compact, occupying only a small amount of space.

Not only is the TRUNDEAN Vertical Roots Blower very compact, the direction of the air vent can be adjusted according to actual needs, and the unit is easy to install.

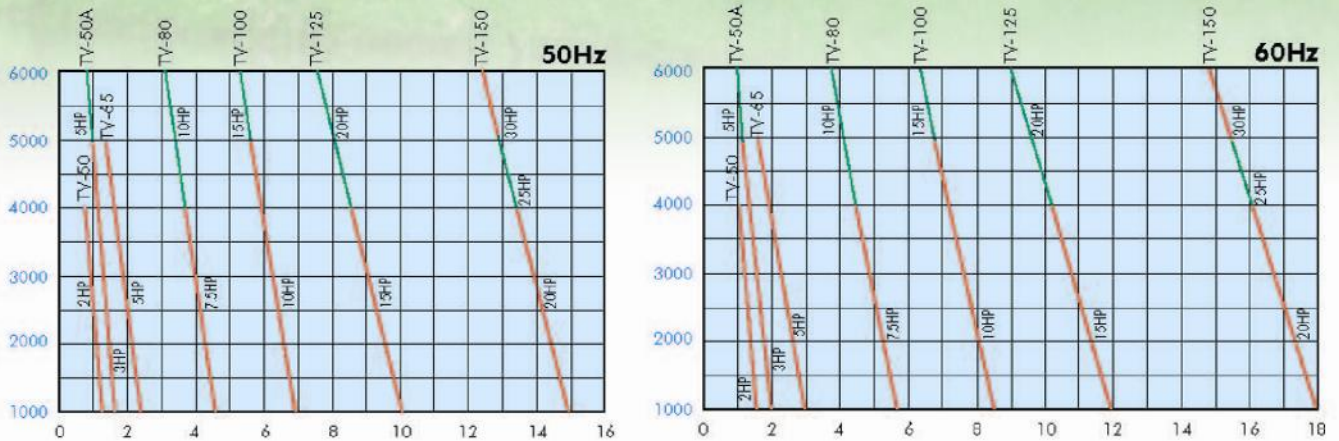
Longer Bearing Life

Less vibration transmitted through the lobe results in approximately 20% longer bearing life.

The Surface of Vertical Roots Blower



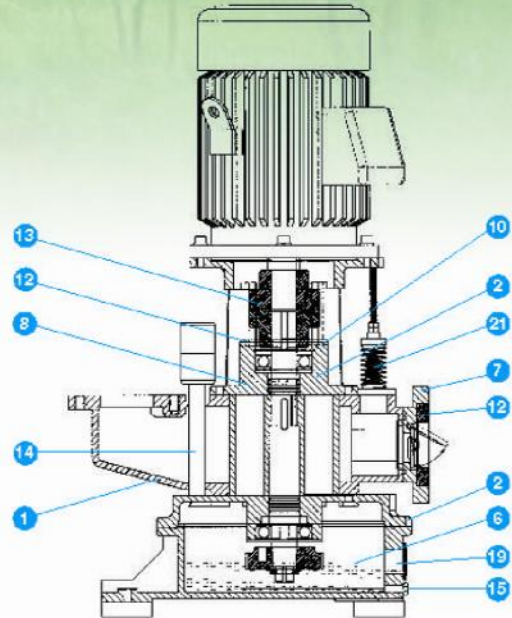
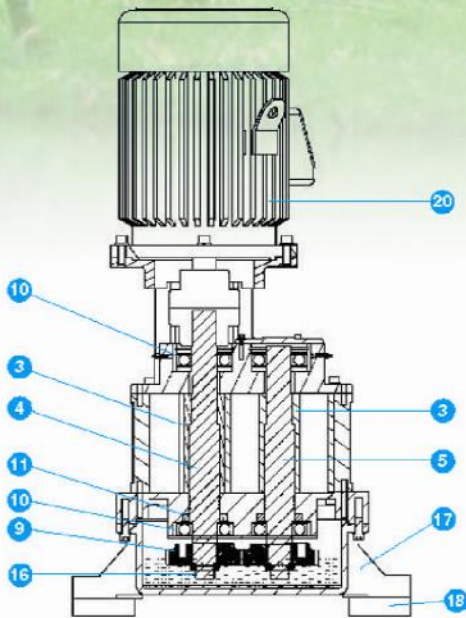
Performance Curve



Specifications of Vertical Roots Blower

Model	Bore	Power	Pressure kgf/cm ² , Capacity m ³ /min													
			50Hz						Noise	60Hz						Noise
			0.1	0.2	0.3	0.4	0.5	0.6		0.1	0.2	0.3	0.4	0.5	0.6	
HP																
TV-50	2"	2	1.26	1.10	0.93	0.76			54	1.58	1.37	1.16	0.95			56
TV-50A	2"	3	1.60	1.44	1.28	1.12	0.96		56	1.99	1.79	1.59	1.39	1.19		58
TV-50A	2"	5	1.60	1.44	1.28	1.12	0.96	0.80	58	1.99	1.79	1.59	1.39	1.19	0.99	60
TV-65	2.5"	5	2.46	2.18	1.90	1.63	1.35		60	3.02	2.68	2.34	2.00	1.66		62
TV-80	3"	7.5	4.59	4.30	4.00	3.70			65	5.60	5.24	4.88	4.52			67
TV-80	3"	10	4.59	4.30	4.00	3.70	3.41	3.11	68	5.60	5.24	4.88	4.52	4.16	3.80	70
TV-100	4"	10	6.98	6.64	6.31	5.97	5.63		71	8.45	8.04	7.63	7.22	6.81		73
TV-100	4"	15	6.98	6.64	6.31	5.97	5.63	5.29	73	8.45	8.04	7.63	7.22	6.81	6.40	75
TV-125	5"	15	10.0	9.52	9.02	8.52			75	12.0	11.4	10.8	10.2			77
TV-125	5"	20	10.0	9.52	9.02	8.52	8.02	7.52	76	12.0	11.4	10.8	10.2	9.6	9.0	78
TV-150	6"	20	14.9	14.4	13.9	13.4			79	17.9	17.3	16.7	16.1			81
TV-150	6"	25	14.9	14.4	13.9	13.4	12.9		81	17.9	17.3	16.7	16.1	15.5		83
TV-150	6"	30	14.9	14.4	13.9	13.4	12.9	12.4	83	17.9	17.3	16.7	16.1	15.5	14.9	85

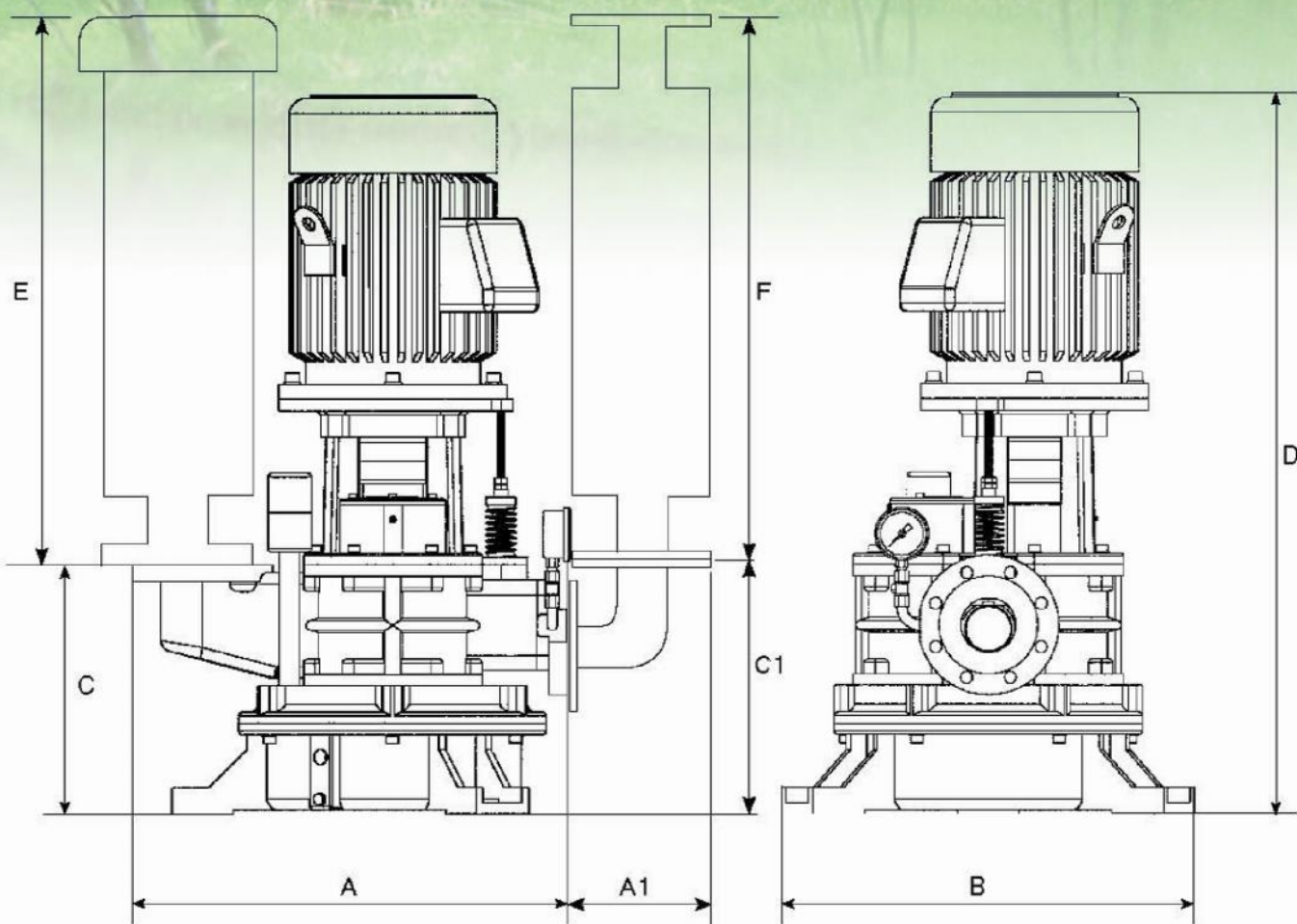
Structural Graphs for the Vertical Roots Blower



Material Chart of Vertical Roots Blower

No.	Name	Q'ty	Material	No.	Name	Q'ty	Material
1	Main Body	1	FC 250	12	Dish Springs	2	N 63 CA
2	Bearing Base	1	FC 250	13	Coupling	1	FCD 500
3	Rotor	2	FC 250	14	Lubrication Plug	1	FCMB 28
4	Drive Shaft	1	SCM 440	15	Oil Drain Plug	1	FCMB 28
5	Driven Shaft	1	SCM 440	16	Nut	2	S 45 C
6	Oil Box	1	FC 250	17	Base	1	FC 250
7	Check Valve	1	FC 250	18	Vibration Isolator	1	SBR
8	Shaft Link	2	S 45 C	19	Oil Gauge	1	BRASS
9	Gear	2	SNCM 21	20	Motor	1	FC 200
10	Bearing	4	SUJ 2	21	Safety Valve	1	FC 200
11	Oil Seal	2	NBR				

Dimensions

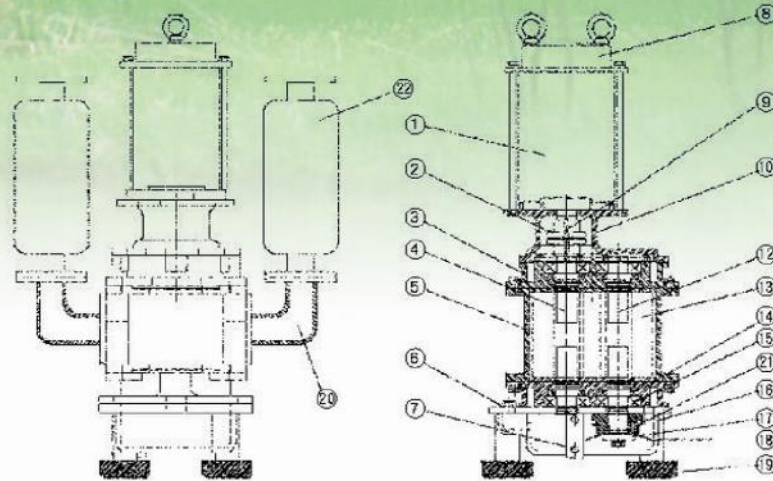


Outside Dimensions (Unit: mm)

Model	HP	A	A1	B	C	C1	D	E	F	Weight (kg)
TV-50	2	430	210	425	288	285	820	765	778	125
TV-50A	3	430	210	425	308	320	834	765	778	145
TV-50A	5	430	210	425	308	320	834	765	778	150
TV-65	5	430	215	425	363	355	952	780	778	160
TV-80	7.5	572	225	542	330	385	972	780	780	290
TV-80	10	572	225	542	330	385	1018	780	780	300
TV-100	10	605	320	542	400	445	1080	840	780	315
TV-100	15	605	320	542	400	445	1118	840	780	370
TV-125	15	768	320	681	385	495	1148	1470	1385	570
TV-125	20	768	320	681	385	495	1192	1470	1385	595
TV-150	20	784	370	681	450	630	1272	1495	1390	625
TV-150	25	784	370	681	450	630	1409	1495	1390	690
TV-150	30	784	370	681	450	630	1409	1495	1390	695

Weight for LType with Accessories and Motor.

Structural Diagram for the Submersible Blower



Material Chart of Vertical Roots Blower

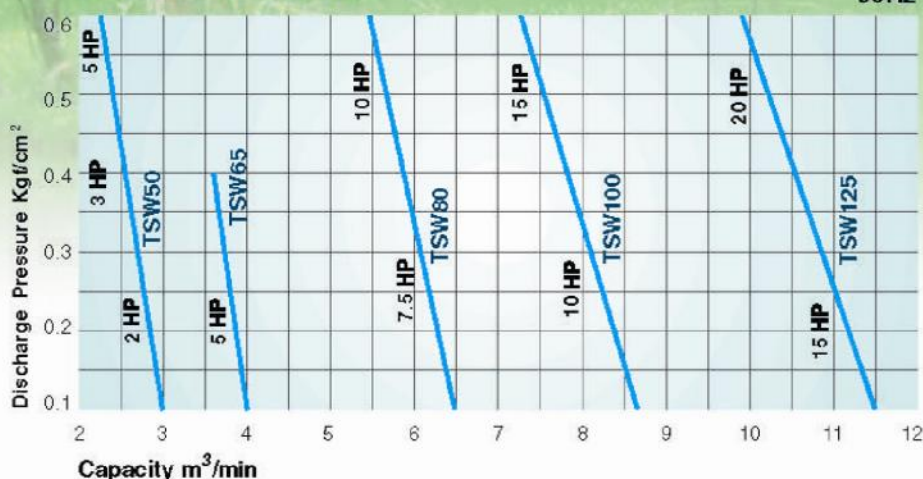
No.	Name	Qty	Material	No.	Name	Qty	Material
1	Casing of Motor	1	SUS304	12	Rotor	2	FC250
2	Coupling	1	FCD500	13	TC Oil Seal	2	NBR
3	Bearing Base	2	FC250	14	Bearing	4	SUJ2
4	Drive Shaft	1	S45C	15	"S" Ring	2	SK7
5	Main Body	1	FC250	16	Gear Box	1	FC250
6	Lubrication Plug	1	SS400	17	Washer	2	S45C
7	Oil Drain Plug	1	SS400	18	Oil Splasher	1	SS400
8	Motor Cover	1	NBRJ	19	Vibration Cushion	4	SS400
9	Key	1	S45C	20	Pipe Flange	2	FC250
10	Connecting Base	1	FC250	21	Gear	2	SNCM21
11	Driven Shaft	1	SCM440	22	Silencer	2	SS400

Function Table for the TSW Series Submersible Blower

Model	Bore	Power HP	Pressure kgf/cm ² , Capacity m ³ /min												Weight (kg)	
			50Hz						60Hz							
			0.1	0.2	0.3	0.4	0.5	0.6	0.1	0.2	0.3	0.4	0.5	0.6		
TSW50	2"	2	2.94	2.84	2.74					3.04	2.94	2.83				115
TSW50	2"	3	2.94	2.84	2.74	2.64	2.53			3.04	2.94	2.83	2.73	2.62		
TSW50	2"	5	2.94	2.84	2.74	2.64	2.53	2.44		3.04	2.94	2.83	2.73	2.62	2.52	
TSW65	2.5"	5	3.99	3.85	3.71	3.56				4.09	3.95	3.75	3.59			130
TSW80	3"	7.5	6.47	6.27	6.07	5.87				6.59	6.39	6.19	5.99			210
TSW80	3"	10	6.47	6.27	6.07	5.87	5.68	5.48		6.59	6.39	6.19	5.99	5.81	5.62	
TSW100	4"	10	8.66	8.36	8.07	7.79				8.75	8.46	8.17	7.89			280
TSW100	4"	15	8.66	8.36	8.07	7.79	7.50	7.22		8.75	8.46	8.17	7.89	7.61	7.34	
TSW125	5"	15	12.44	12.22	11.89	11.45				12.99	12.66	12.33	12.01			400
TSW125	5"	20	12.44	12.22	11.89	11.45	11.12	10.79		12.99	12.66	12.33	12.01	11.67	11.34	

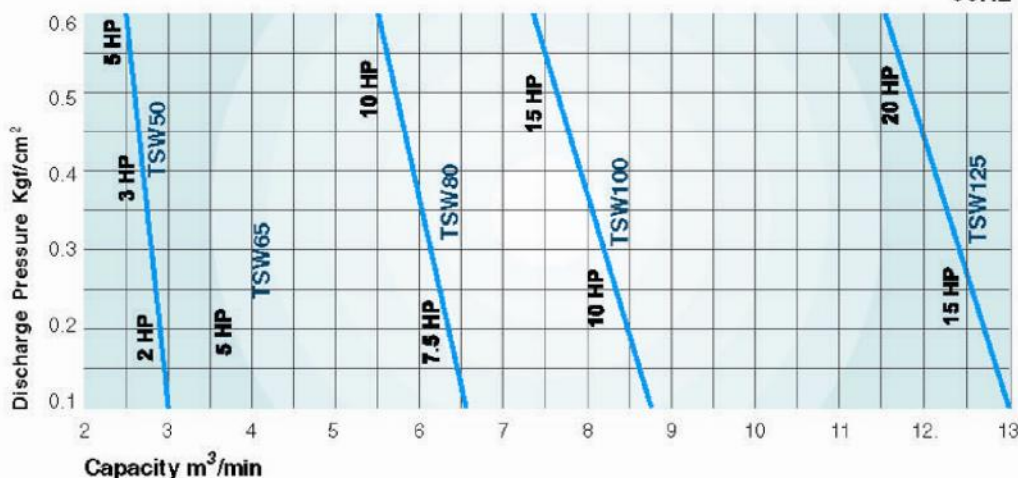
Performance-Curves

50Hz

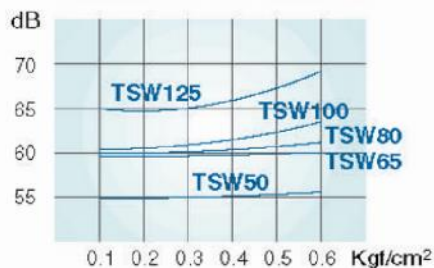


Performance-Curves

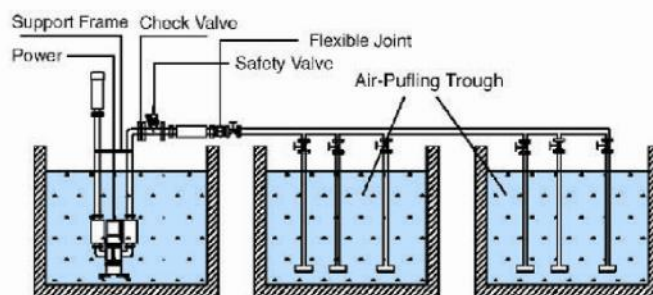
60Hz



Noise Levels



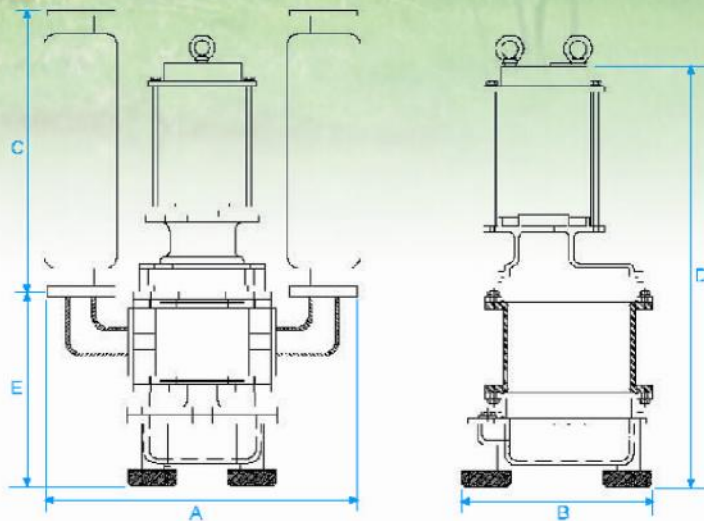
Installation Diagram



Installation

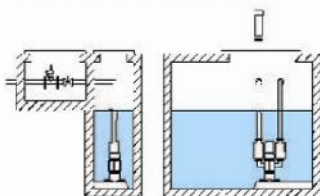
1. Lower the body into the trough bottom with the chain.
2. Don't tighten the chain; fix its end to the hook.
3. Fix the inlet and outlet pipes with pipe clips instead of loosing.
4. To remove easily, keep a hook with a hole for use.
5. To start, keep the safety valve to its fullest then adjust.

Dimensions



Model	HP	A	B	C	D	E
TSW 50	2	650	340	765	775	360
TSW 50	3	650	340	765	775	360
TSW 50	6	650	340	765	775	360
TSW 65	5	675	340	780	835	390
TSW 80	7.5	775	425	780	870	420
TSW 80	10	775	425	780	870	420
TSW 100	10	880	425	840	870	500
TSW 100	15	880	425	840	870	500
TSW 125	15	955	425	1470	1090	560
TSW 125	20	955	425	1470	1090	560

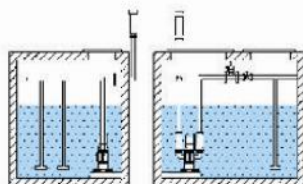
Where to use



Passage trough, Foam-removing trough, Blow trough

Advantage: 1. Shallow water installation easy for maintenance.
2. The oil change can be easily done in the trough after the water is out.

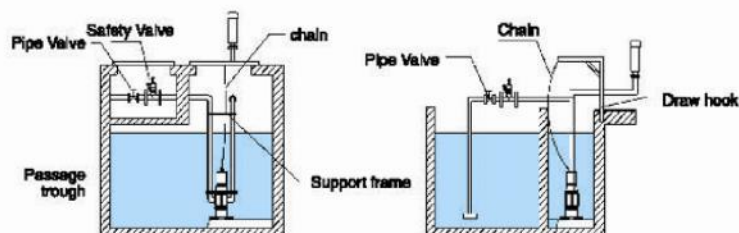
Caution: 1. Must keep the minimum water level.
2. Must keep the water temp below 32 °C .



Air-puffing trough

Advantage: 1. Easy assembly parts.
2. Doesn't require a similar place next to the blower for installation.

Caution: 1. During installation, keep away from the return current.
2. Bubbles should not enter the blower.



Ring Blowers

Features:

Low noise and vibration

Dynamic balancing minimizes vibration.

Dust-proofed shaft seal

Protects bearings from Contaminated air stream and possible foreign particle damage.

High reliability

Directly connected motor shaft-impeller provides reliable, long term performance. No gears, belts, motor brushes or sliding blades to require periodic maintenance.

Space-efficient design

Unique design results in substantial airflows at moderate pressures in minimum space and weight.

Versatility

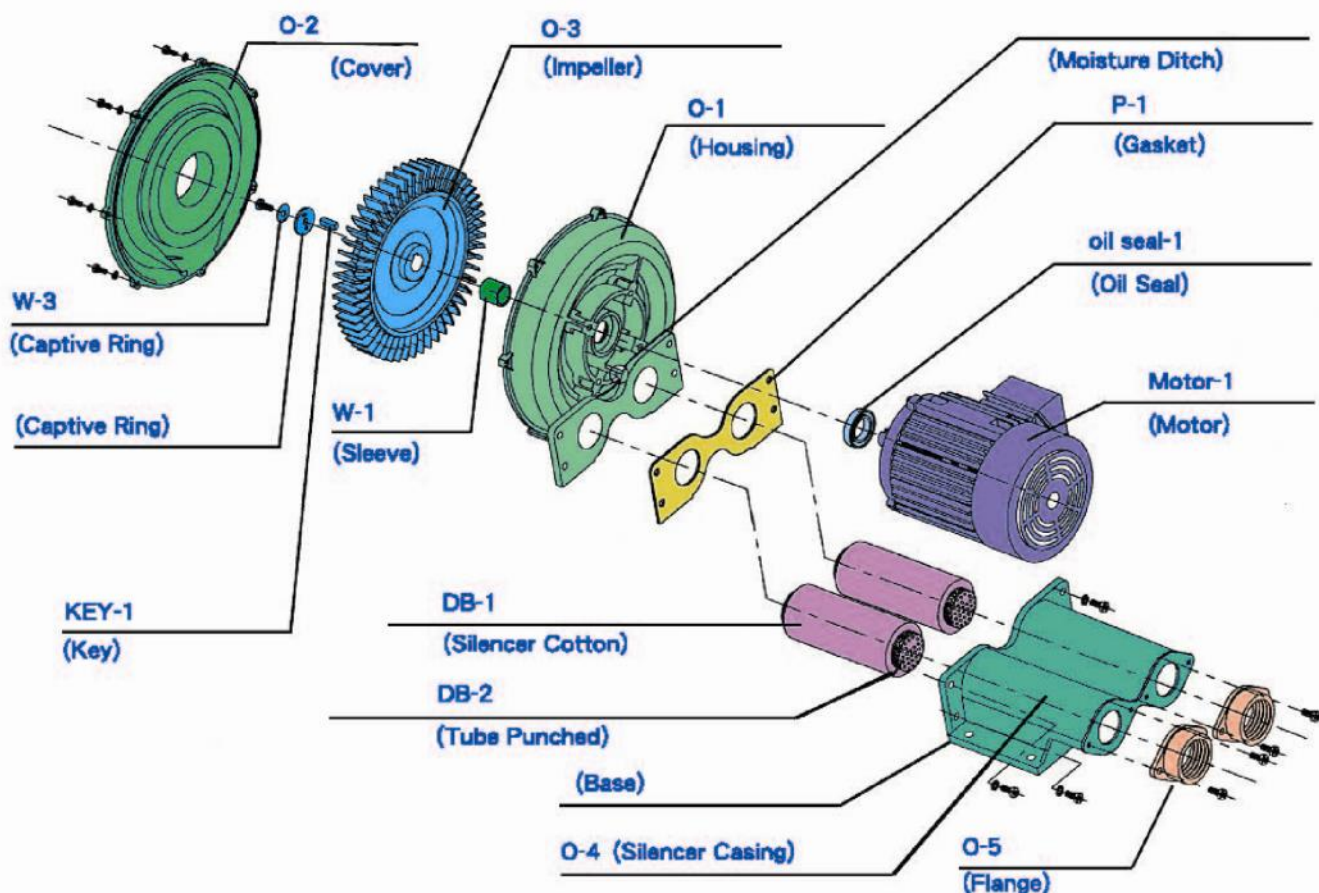
Easily throttled and changed from pressure to suction operation. May be mounted in a variety of fashion.

Stable airflow

Centrifugal compressor design delivers smooth, stable airflow with no pulsations.

High-pressure airflow

Produces continuous high-pressure airflow. The Ring Blower is ideally suited to many industrial applications.



Applications:

- ◆ Grain Elevators
- ◆ Textile Fiber Collections
- ◆ Paper Industry
- ◆ Sewage Treatments
- ◆ Cement Manufacturing
- ◆ Diesel Burning
- ◆ Pulp Industry
- ◆ Glass Manufacturing
- ◆ Ice Manufacturing
- ◆ Tunnel Ventilation
- ◆ Fishery Industry



TS-018



TS-075



TS-550

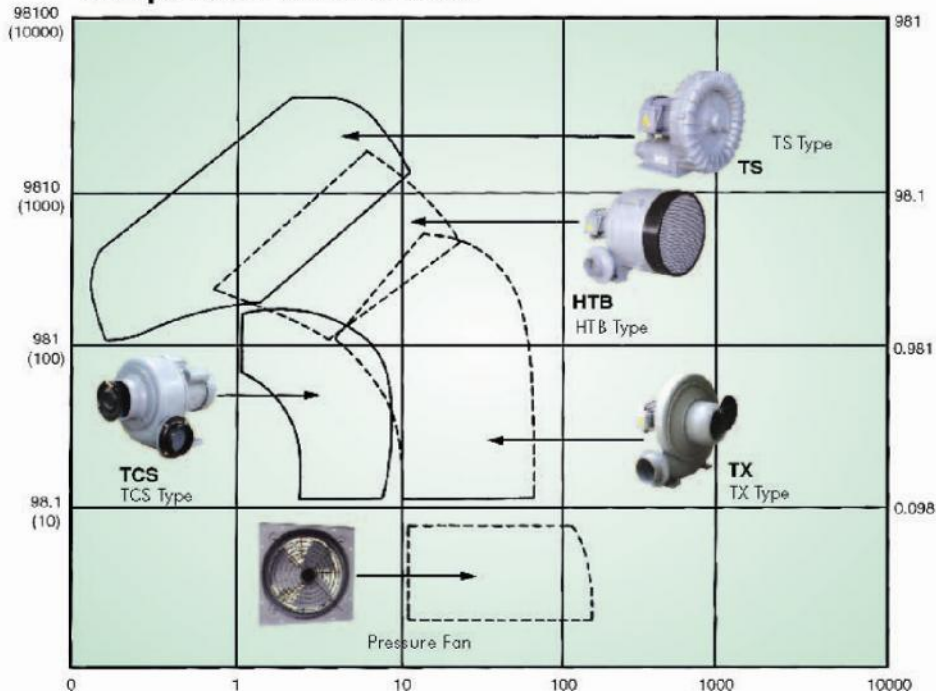


TS-1015

Specifications

Type	Phase	Frequency Hz	Power KW	Voltage V	Current A	Pressure(max) mm H2O	Air Flow(max) m3/min	In/Put Let	Noise Level dB	Weight kgs	Store	
Standard of Single Phase	TS-018S	1 ϕ	50/60	0.18	110/220	2.4/1.2	500/700	0.6/0.8	PF 1"	60/65	9	V
	TS-037S	1 ϕ	50/60	0.37	110/220	5/2.5	1000/1200	1.3/1.5	PF 1 1/4"	65/70	15	V
	TS-075S	1 ϕ	50/60	0.74	110/220	14/7	1600/1800	2.4/2.6	PF 1 1/2"	67/72	20	V
	TS-150S	1 ϕ	50/60	1.5	110/220	30/15	2000/2500	3.2/4.5	PF 2"	70/75	35	V
	TS-220S	1 ϕ	50/60	2.2	110/220	44/22	2500/2800	5/6.2	PF 2"	70/75	40	
Standard of Three Phase	TS-018	3 ϕ	50/60	0.18	220/380	1.2	500/700	0.6/0.8	PF 1"	60/65	9	V
	TS-037	3 ϕ	50/60	0.37	220/380	1.8	1000/1200	1.3/1.5	PF 1 1/4"	65/70	15	V
	TS-075	3 ϕ	50/60	0.74	220/380	3	1600/1800	2/2.2	PF 1 1/2"	67/72	20	V
	TS-150	3 ϕ	50/60	1.5	220/380	5.4	2000/2500	3.2/4.5	PF 2"	70/75	30	V
	TS-220	3 ϕ	50/60	2.2	220/380	8	2500/2800	5/6.2	PF 2"	70/75	35	V
	TS-370	3 ϕ	50/60	3.7	220/380	13	2800/3500	7/8.3	PF 2"	77/78	55	V
	TS-550	3 ϕ	50/60	5.5	220/380	19	2600/3200	7.5/9.5	PF 2 1/2"	80/85	85	V
	TS-750	3 ϕ	50/60	7.5	220/380	24	2900/3400	9/11	PF 2 1/2"	80/85	95	V
	TS-1011	3 ϕ	50/60	11	220/380	36	2500/3000	20/24	PF 4"	82/87	175	
	TS-1015	3 ϕ	50/60	15	220/380	47	3000/3500	25/28	PF 4"	82/87	182	

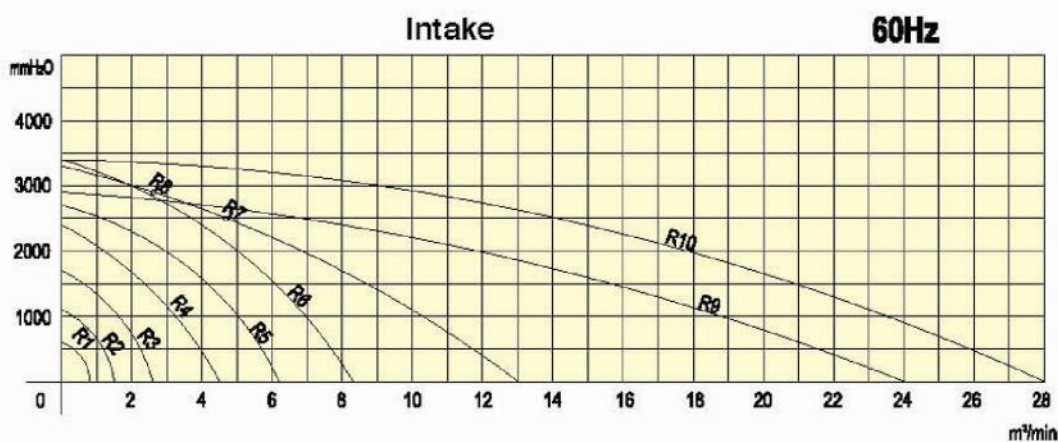
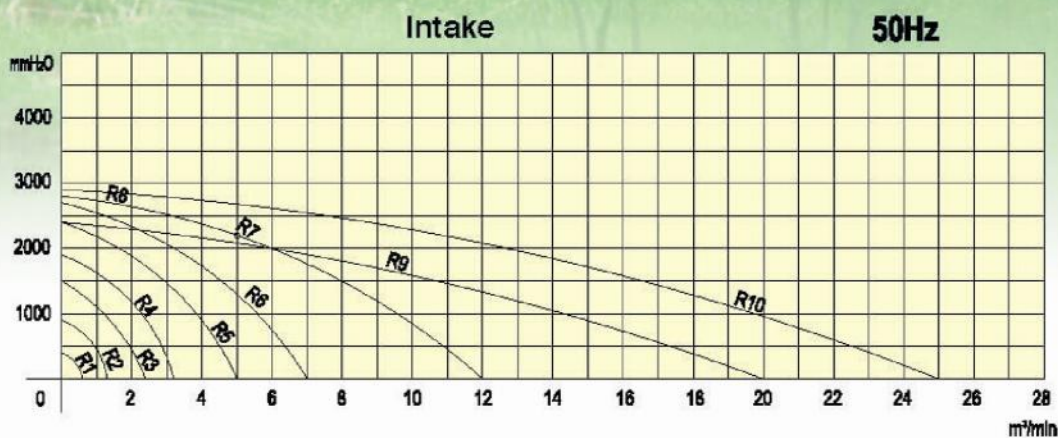
Comparison with Function



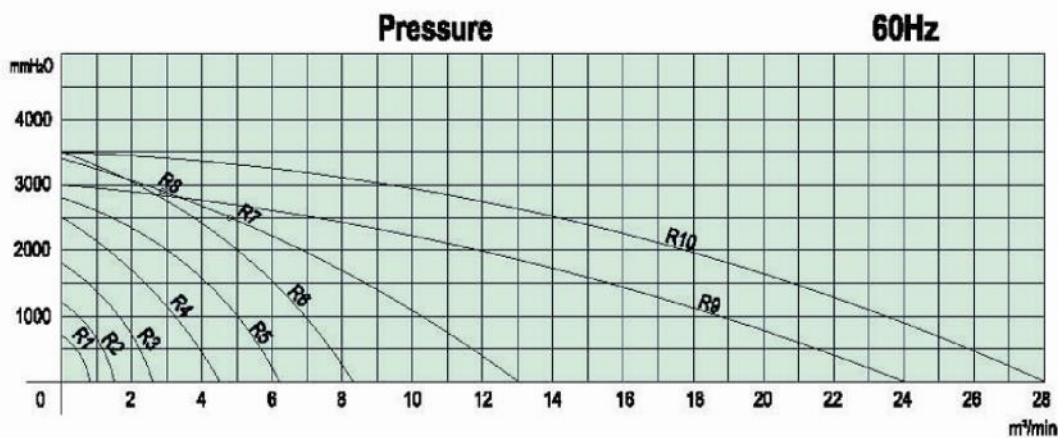
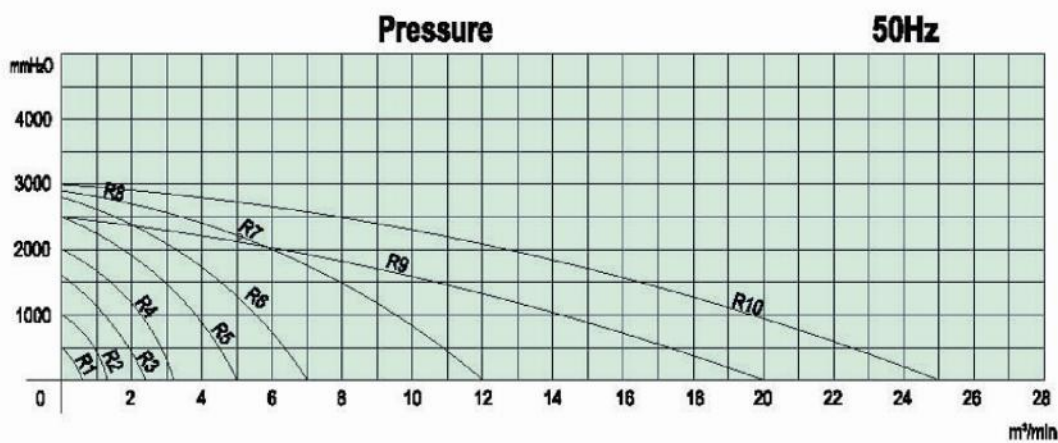
performance Curve



TS-220

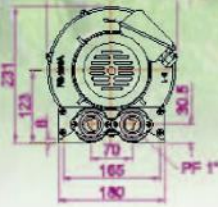


品號	品名
R1	TS-018S
R2	TS-037S
R3	TS-075S
R4	TS-150
R5	TS-220
R6	TS-370
R7	TS-550
R8	TS-750
R9	TS-1011
R10	TS-1015

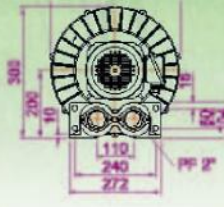
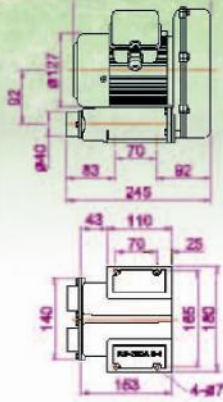


TS-1011

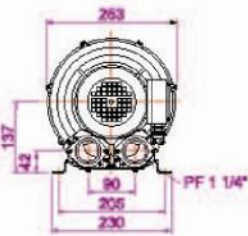
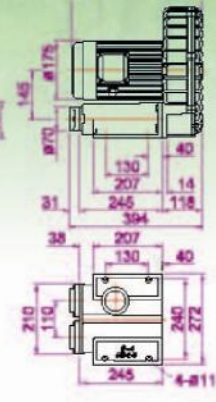
Outside Dimensions



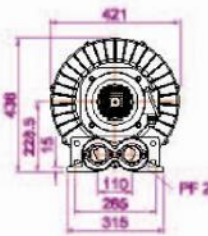
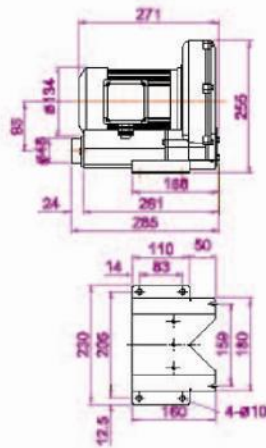
TS-018



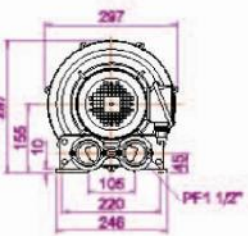
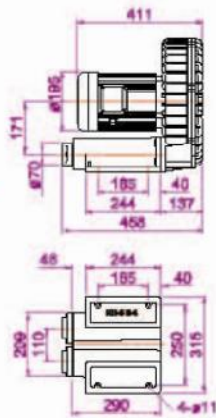
TS-220



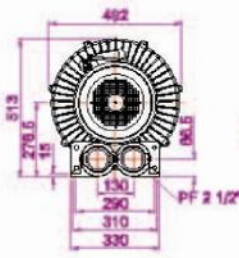
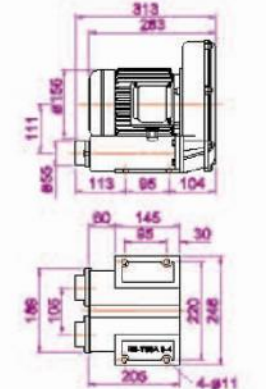
TS-037



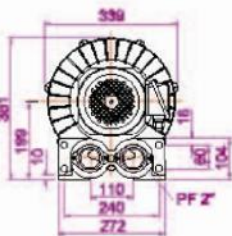
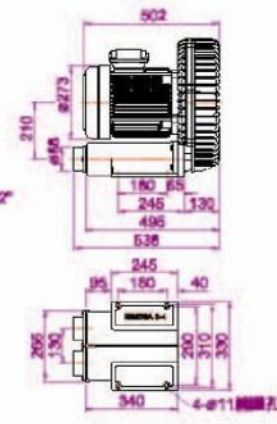
TS-370



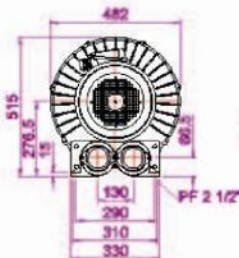
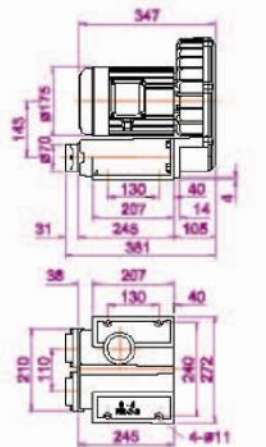
TS-075



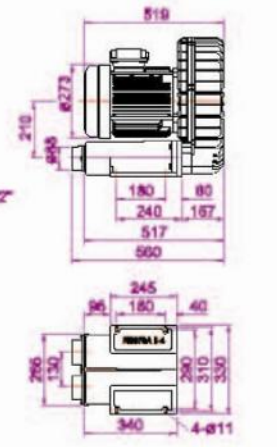
TS-550(750)



TS-150



TS-1011



Diffuser

Specifications

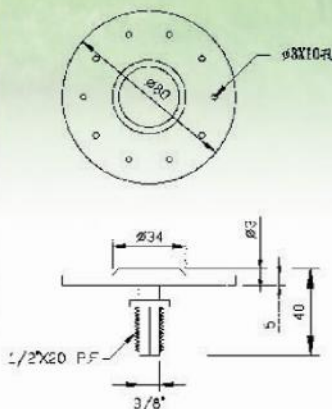
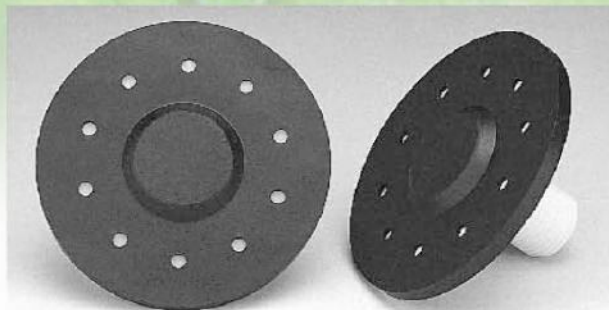
- ◆ 4/8" 牙口 · 3/8" 入氣口
- ◆ 直徑 Diameter : 80 mm
- ◆ 高度 Height : 40 mm
- ◆ 通氣量 Aeration : 0.08 ~ 0.10 m³/min

Feature

- ◆ 配合國內現成4/8" 龍頭，安裝容易
- ◆ 構造堅固耐用
- ◆ 溶氧效率高 · 耐腐蝕性
- ◆ 有逆止作用 · 永不阻塞

Material

- ◆ 擴散蓋：Neoprene Rubber 耐酸鹼
- ◆ 擴散基座：ABS



Both Side of Best Installation

Less Pressure and High Corrosion Resisting

Close Entirely When Backflow

利用水壓與閥材之特殊構造，當散氣中止時，其特殊構造可防止污水逆流之產生。

Less Pressure

閥本體因具有伸縮性，應通風量之增減，使噴氣口順應調整，故壓力損失少，其變化異常亦少。

Coupling Gauge

PT 1" 螺牙

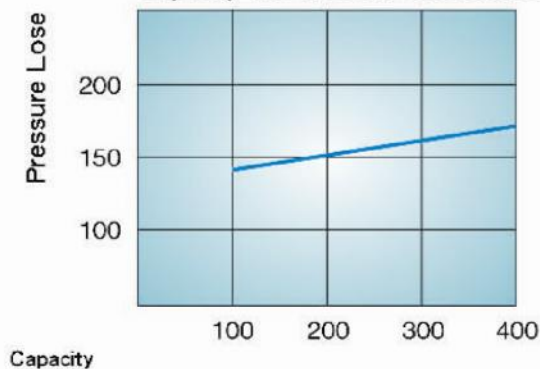


Special Fine Corrosion

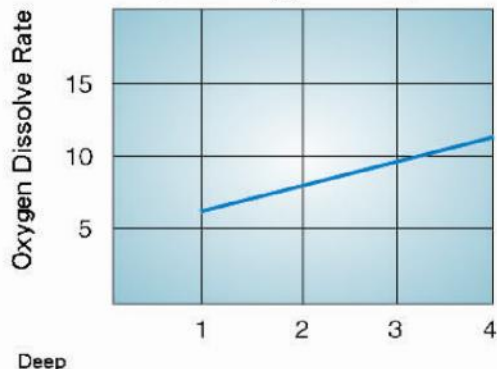
本體採用高品質ABS複合材質，其耐溫性、軟化溫度點，非一般泛用ABS塑料可比較。

閥門車體將用高級合成樹脂、耐候性、耐油性、耐蝕性、包括老化性、低變形性之特點，其使用期效約3倍於一般橡膠類或PVC類之產品。

Capacity and Pressure Lose's relationship



Deep and Oxygen Dissolve Rate



材質 Material

本體部：ABS樹脂

瓣部：熱可塑性合成樹脂

標準通風量：100/min-450/min

重量：130g

安裝方式：向下或向上皆可

安裝接合法：PT 1" 螺牙

High Efficiently Air Diffuser



Unique Design

特殊止水隔膜設計，在任何狀況下均可防止水流入空氣管線中。

Superior Function

低空氣使用量（100公升/分/個）、低壓降值及高氧氣溶解效率。

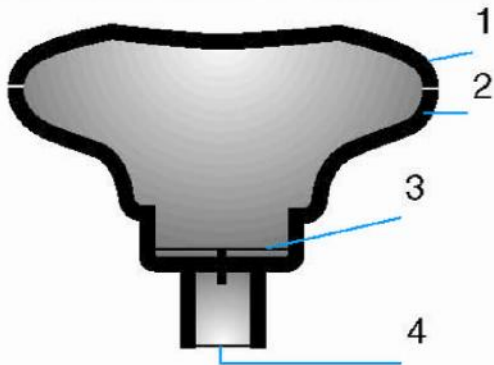
Delicacy Model

圓弧外型，水阻極微，有極佳的散氣均勻性，能有效擾動周圍流體，達到拌合及傳氧效果。

Easy Installation and Durable

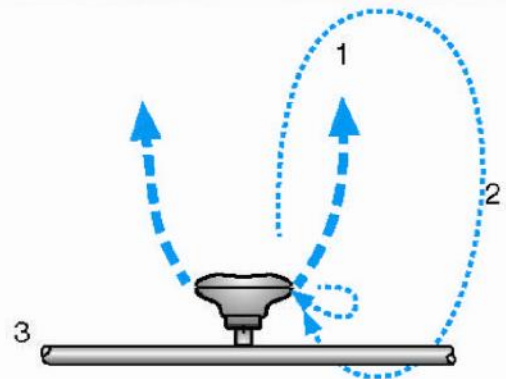
安裝容易，抗酸鹼，使用壽命長。

Section



- | | |
|----------|----------|
| 1. 氣泡分散板 | 3. 止水隔膜 |
| 2. 擴散器本體 | 4. 空氣吸入口 |

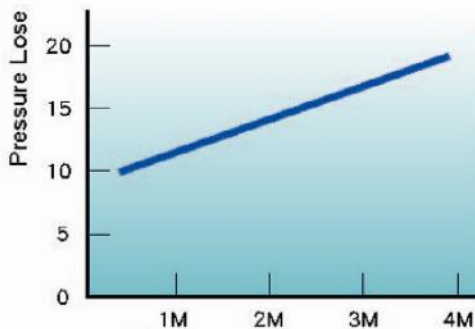
Mix Chart



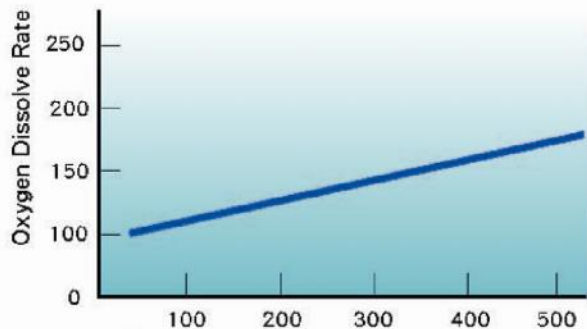
- | | |
|---------|---------|
| 1. 氣泡 | 3. 空氣管線 |
| 2. 循環水流 | |

Test Curve

測試溫度 Test Temperature : 20°C 氣體流量 Air Flow : 300/min



水深 (m) Deep



氣體流量 (L/ min) Air Flow

Application

廢水處理調合池、中和池、快混池、凝集池、曝氣池、大型養殖場及其他各種空氣擴散拌合用途。

Specification

- ◆ 材 質.....ABS 樹脂
- ◆ 連接方式.....6 / 8" 牙管
- ◆ 理想裝置範圍.....60-100cm / 個
- ◆ 裝置方式.....向上或向下

Envi-Bubble Tube

Structure

Adopted the EPDM-NEWPLAN to melt. It can restrain the ageing effectively of the membrane, and protract the using life.

Buoyancy elimination with hollow design.

Air inlet with modied infection of PVC or ABS.

Supporting frame with PVC or ABS.

Identify clamp with membrane by stainless steel #304 or #316.

Membrane hole with Δ -shapped or I-shapped slit.



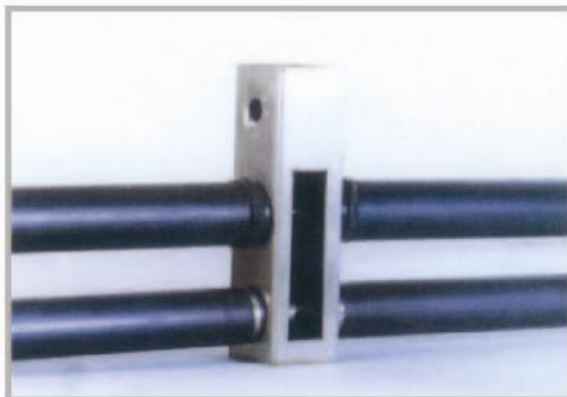
Advantage

- | | |
|----------------------------------|--------------------------------------|
| High oxygen transfer efficiency. | Easy installation. |
| High resistance to clogging. | Back flow prevention. |
| High resistance to corrosion. | Intermittent operation capability. |
| Wide air flow range. | Buoyancy Eliminated. |
| Low pressure loss. | High EPDM-NEWPLAN membrane tenacity. |
| Low energy cost. | |



Suitable range

- | | |
|----------------------------------|--------------------------------|
| Municipal wastewater treatment. | Wastewater ozone diffusion. |
| Industrial wastewater treatment. | Aeration of fish ponds. |
| Clean water treatment. | Aeration of streams and lakes. |
| Sludge stabilization. | |



Specifications

Model Number	Dimension	Flow Range (LPM)	Membrane	Base	Hardware
TUBE-300	12.5"x2.5"x3/4" NPT	20~100	EPDM-NEWPLAN	PVC A.B.S.	SUS#304.316
TUBE-600	24"x2.5"x3/4" NPT	20~250	EPDM-NEWPLAN	PVC A.B.S.	SUS#304.316
TUBE-700T	28"x2.5"x3/4" NPT	40~280	EPDM-NEWPLAN	PVC A.B.S.	SUS#304.316
TUBE-1300T	51"x2.5"x3/4" NPT	40~280	EPDM-NEWPLAN	PVC A.B.S.	SUS#304.316
TUBE-1000	39"x2.5"x3/4" NPT	40~320	EPDM-NEWPLAN	PVC A.B.S.	SUS#304.316
TUBE-1000-30	12.5"x3"x3/4" NPT	20~200	EPDM-NEWPLAN	PVC A.B.S.	SUS#304.316
TUBE-1000-60	24"x3"x3/4" NPT	20~300	EPDM-NEWPLAN	PVC A.B.S.	SUS#304.316
TUBE-1000-100	39"x3"x3/4" NPT	20~380	EPDM-NEWPLAN	PVC A.B.S.	SUS#304.316

High Efficiently Membrane Diffuser

Structure

Membrane: Adopted the EPDM-NEWPLAN to melt. It can restrain the ageing effectively of the membrane, and protract the using life.

Spreading hole: Adopted the ^ shaped for perforating to prevent adverse of waste water effectively and the bubble would be less than 0.3mm during aeration.

Base: Adopted the NYLON=A.B.S. Produced by hard plastics. It could prevent it out of shape.

Advantage

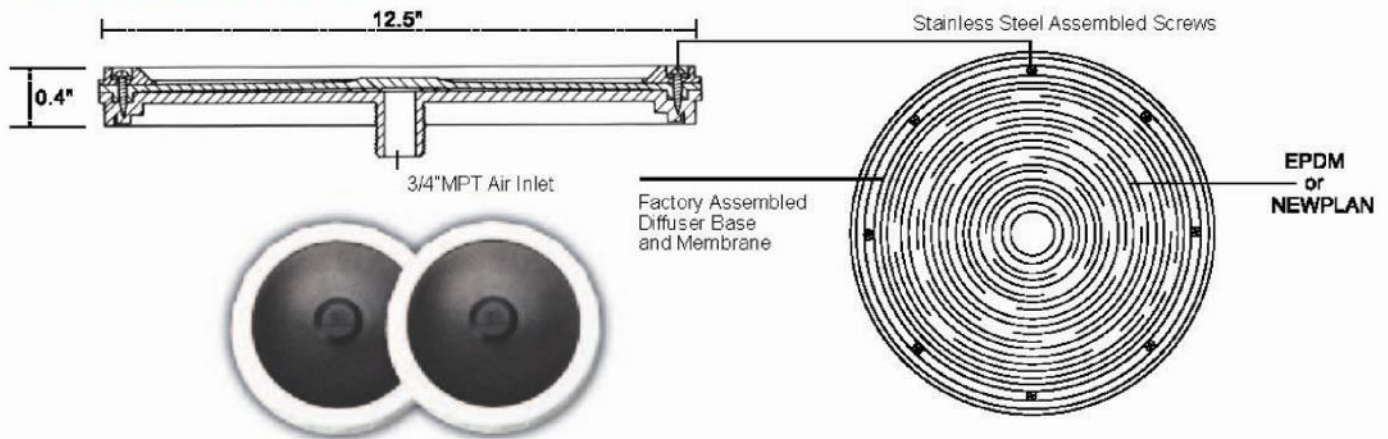
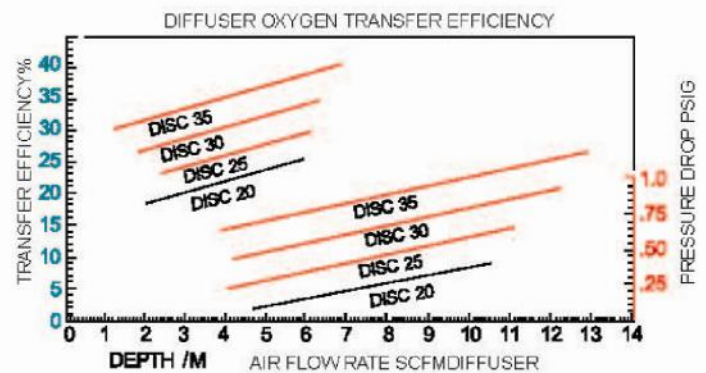
- High oxygen transfer efficiency
- Easy installation
- Low pressure loss
- Intermittent operation capability
- High resistance to corrosion
- Water-stirring effect.
- Self cleaning operation
- Low flow to operation.
- Back flow prevention

Suitable range

Place of dealing with waste water. Promote the oxygen in lake and river

Active the clean water. Stable the MLSS.

Promote the oxygen in lake and river.



Specifications

Model Number	Dimension	Flow Range (LPM)	Membrane	Base	Hardware
Disc-200	8"x2.3"	20~100	EPDM-NEWPLAN	FIBER+A.B.S.	BOLTFIJED
Disc-250	10"x2.3"	20~150	EPDM-NEWPLAN	FIBER+A.B.S.	BOLTFIJED
Disc-300	12.5"x2.3"	20~260	EPDM-NEWPLAN	FIBER+A.B.S.	BOLTFIJED
Disc-350	13.5"x2.3"	20~310	EPDM-NEWPLAN	FIBER+A.B.S.	BOLTFIJED

科技研發 與時俱進 開創新局

Technology, Development, Innovation



Patent is to Approve our result and lead the glory



魯氏鼓風機結構改良



全水冷式鼓風機



直立式鼓風機



葉輪式離心泵結構改良



無齒封離心泵



全水冷式鼓風機



直立式鼓風機



魯氏鼓風機結構改良



迎賓大廳



嚴謹的測試品質，提供最佳品質



完善的組立生產線



完備的測試品質，提供產品最佳保證



主機庫存區



貨櫃碼頭



CNC電腦加工區



成品出貨區



ISO 9001 2000國際品質認證

Specializing in the manufacturing of blowers; wide varieties of products; and special order with specific designs.

TRUNDEAN MACHINERY CO., LTD.

Head office / Factory in Taiwan

No. 101 Lane 861, Fu-Kuo Rd., Taoyuan, Taiwan

TEL: +886 3 323 8288 FAX: +886 3 323 8959

Tainan Branch / Factory in Taiwan

No.1-35 Jiu Ying, Jiu Ying Li, Yan Shui Town, Tai Nan County

TEL: +886 6 652 9455 FAX: +886 6 652 9520

Shanghai Branch / Factory in China

No.15 Qian Qiu Qiao Rd, Huang Du Town, Jia Ding District,
Shanghai, P.R.C.

TEL: +86 21 5959 8977 FAX: +86 21 5959 7997

E-mail : trundean@trade.sh.cn

Tailand Branch / Factory

71/90 Sol 13 Chomthong Rd, Chomthong Bangkok 10150 Tailand

TEL: +66 2 878 1885 FAX: +66 2 878 1887

[Http://www.trundean.com.tw](http://www.trundean.com.tw)

E-mail: blower@trundean.com.tw

經銷商